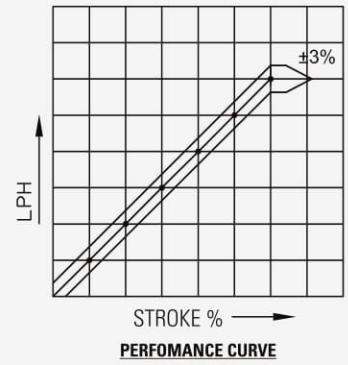




Model: VE-03 Electronic Dosing Pump



Material of Construction

Sr. No.	Parts	Material
01	Housing	GFPF
02	Liquid Head	PP/PTFE/SS304/SS316
03	NRV	PP/PTFE/SS304/SS316
04	NRV Ball	Ceramic/SS304/SS316
05	Diaphragm	PTFE

Technical Details

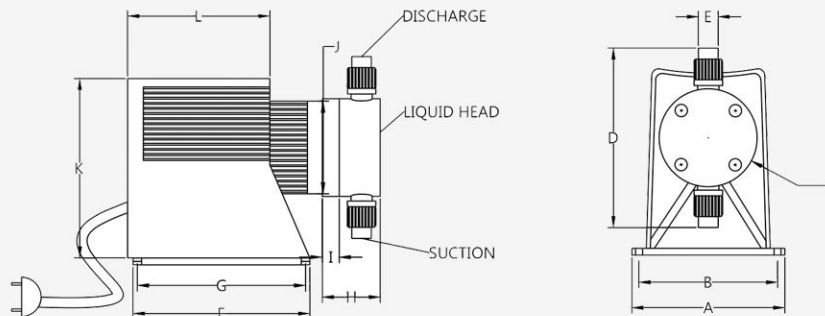
Sr. No.	Model	VE 03
01	Type	Solenoid Operated Electronic Dosing Pump
02	Input Power Supply	230V, 50Hz, 1 Phase
03	Input Power Consumption	80 Watt
04	Flow Adjustment	By Manual Adjustable Speed SPM 0-120
05	Negative Suction	1 mtr
06	End Connection	1/4" Hose Holder
07	Environment Temperature	45°C max.
08	Temperature Of Liquid Handled	50°C max
09	Shipping Weight	5 Kg

Standard Accessories

Sr. No.	Parts	MOC	Quantity
01	Suction & Discharge Piping	LDPE/PTFE	3 meter
02	Foot Valve Cum Strainer	PP	1
03	Antisiphoning valve	PP	1

Flow Reading

Sr. No.	Speed SPM(%)	Pressure (Kg/Cm2)	Flow (Ltr/hr)
01	100	1	25
02	100	2	20
03	100	3	15
04	100	4	12



A	B	C	D	E	F	G	H	I	J	K	L
134.5	120.6	Ø86	157.8	1/4"	155.2	148	51.0	15	Ø81.5	157.8	125